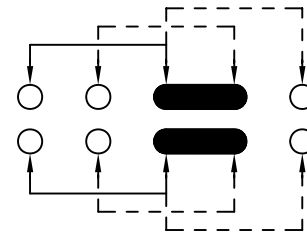
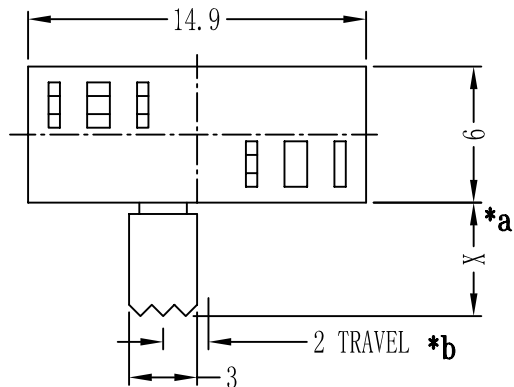
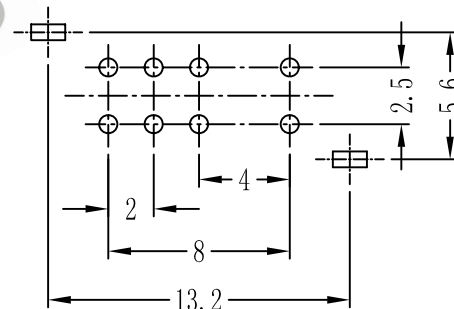
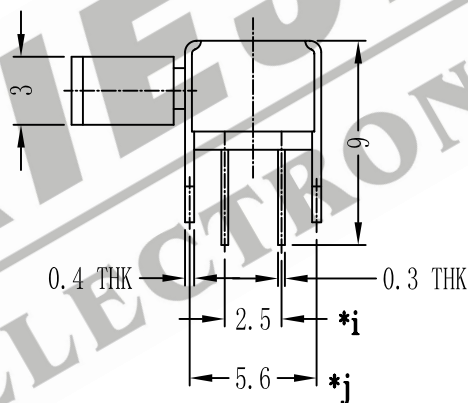
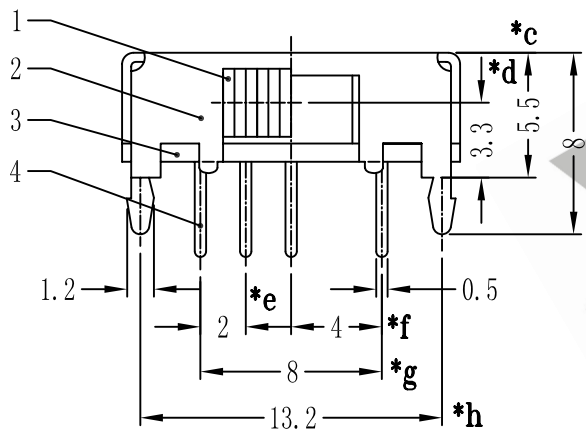


CAD FILE:



SCHEMATIC (SHORTING)



P.C.B LAYOUT

注:带"\*"表示关键尺寸(7个)

					TOLERANCE UNLESS SPECIFIED		SHENZHEN XIEJIA ELECTRONICS CO.,LTD.				
					WITHIN: 1.5±0.1mm OVER : 1.5±0.2mm		ISSUE	DATE	DESCRIPTIONS		APPD
8											
7											
6	SPRING	STAINLESS STEEL	1	NATURAL	TITLE: HORIZONTAL SLIDE SWITCH		UNIT : MM		DRWG NO.:XJ-DR-SK23D06-00		
5	CONTACT CLIP	PBS	2	Ag CLAD							
4	TERMINAL	BRASS STRIP	8	Ag PLATED OVER Ni PLATED	MODEL: SK-23D06		SCALE: 3:1		DWN	ZHOUYU	2001-9-6
3	BASE	PHENOLIC RESIN	1	NATURAL					CHK'D	FANGYING	2001-9-6
2	FRAME	STEEL STRIP	1	Ni PLATED	ALL MATERIALS MUST BE COMPLIANT TO ROHS		APPD		KANGXINAN	2001-9-6	
1	KNOB	POM	1	BLACK							
NO.	PART NAME	MATERIAL	QTY	FINISHING							